

Press Load Cell for hand and automatic operated presses

MODEL 8451



Measuring ranges 0 ... 50 kN up to 0 ... 100 kN



Measuring ranges up to
0 ... 2 kN



Measuring ranges 0 ... 5 kN
up to 0 ... 20 kN

Highlights

- Measuring ranges from 0 ... 500 N up to 0 ... 100 kN
- Non-linearity < 0,25 % F.S.
- Protection class IP65 / IP67
- Simplest mounting on press ram
- Robust construction with mechanical overload protection

Applications

- Forces in component joining
- Press-fitting
- Bending forces during material deformation
- Cutting forces when severing materia
- Forces during stamping processes
- Punching forces for blanks
- Break-out forces used in destructive testing

Product description

The Load cell model 8451 has been developed for measuring the forces that occur during press operation. The internal measuring elements have a rugged design, which mean they can cope reliably with the steep force curves that are typical of press applications. They can be fitted or replaced quickly and easily on the press ram without the need for additional components around them. The force sensor is placed between the tool and the press ram and can thus measure the actual compression force directly in the axis of operation.

The load cell measures the compression forces between the circular contact surfaces of plunger and tool. The pin on its top side and hole on its lower face are simply provided for mechanical fixing and centering the components correctly. The connecting cables are suitable for drag chains, designed for many movements and stably fastened in the sensor housing. Attachments are available which clamp onto the press sensors to enable easy mounting of displacement sensors according to the circumstances of use.

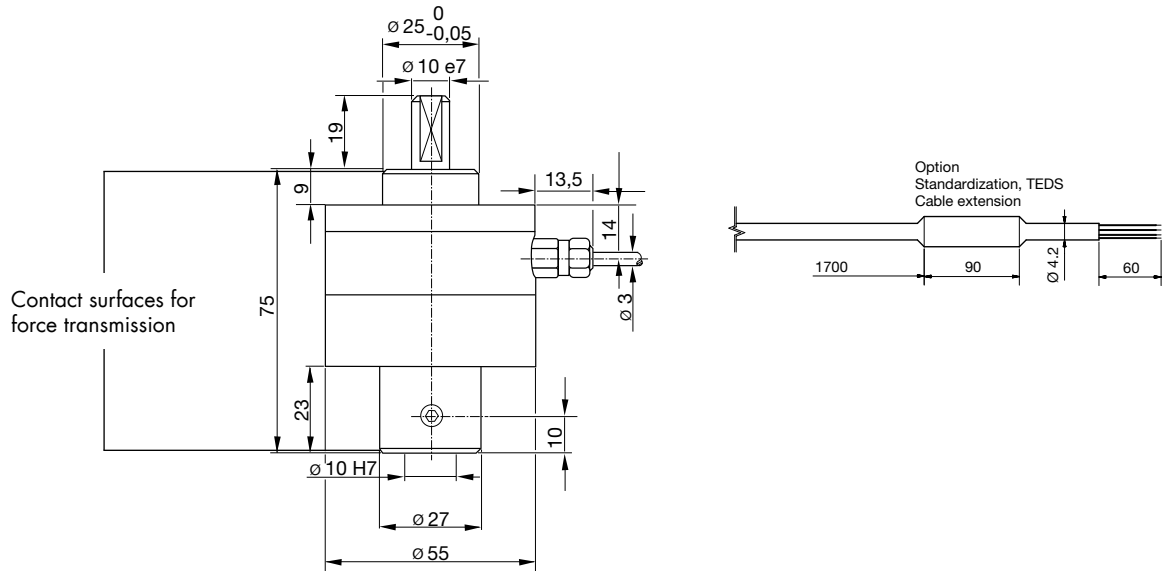
Technical Data

8451	-	5500	6001	6002	6005	6010	6020	6050	6100	
Measuring range calibrated in N and kN from 0 ...		500 N	1 kN	2 kN	5 kN	10 kN	20 kN	50 kN	100 kN	
		±112.4 lbs	±225 lbs	±450 lbs	±1.1 klbs	±2.25 klbs	±4.5 klbs	±11.25 klbs	±22.5 klbs	
Accuracy										
Relative non-linearity*		≤ ±0.25 % F.S.			≤ ±0.35 % F.S.					
Characteristic curve deviation*		≤ ±0.5 % F.S.								
Relative hysteresis		≤ 0.75 % F.S.	≤ 0.50 % F.S.			≤ 0.75 % F.S.	≤ 0.50 % F.S.			
Temperature effect on zero output		≤ 0.02 % F.S./K			≤ 0.1 % F.S./K	≤ 0.05 % F.S./K	≤ 0.03 % F.S./K			
Temperature effect on nominal sensitivity		≤ 0.02 % F.S./K			≤ 0.1 % F.S./K	≤ 0.05 % F.S./K	≤ 0.03 % F.S./K			
Electrical value										
Sensitivity nominal		1.5 mV/V			0.35 mV/V	0.7 mV/V	1.5 mV/V	1.0 mV/V	1.2 mV/V	
Measurement direction		Compression direction								
Standardization**		option 0.8 mV/V (±0.25 %)			not possible		option 0.8 mV/V (±0.25 %)			
Bridge resistance		350 Ω nominal (deviations are possible)								
Excitation		5 V DC (max. 10 V DC)								
Insulation resistance		> 30 MΩ at 45 V								
Environmental conditions										
Nominal temperature range		+15 °C ... +70 °C								
Operating temperature range		-20 °C ... +80 °C								
Mechanical values										
Deflection full scale	[µm]	< 50								
Maximum operating force		120 % of nominal load (after that overload protection takes effect)								
Max. static load capacity		2.5 kN	5 kN	10 kN	30 kN		75 kN	150 kN		
Dynamic performance		recommended: 70 %								
Material		stainless steel 1.4542								
Protection class (EN 60529)		IP65			IP67					
Geometry										
		5500	6001	6002	6005	6010	6020	6050	6100	
		see dimensional drawing								
Mounting										
Mounting fixing pin diameter	[mm]	Ø 10 e7					Ø 20 e7			
Mounting receiving hole diameter	[mm]	Ø 10 H7					Ø 20 H7			
Clamping screws for tool pin		M6					M8			
Mounting instructions		Force transmission between the circular contact surfaces (press ram/press tool). The pin and hole are used only for mechanical fastening and centric alignment (see dimensional drawing).								
Other										
Natural frequency	[kHz]	> 2	> 3	> 5	> 20					
Mass	[g]	500			220		900			
General tolerance of dimension		ISO 2768f								

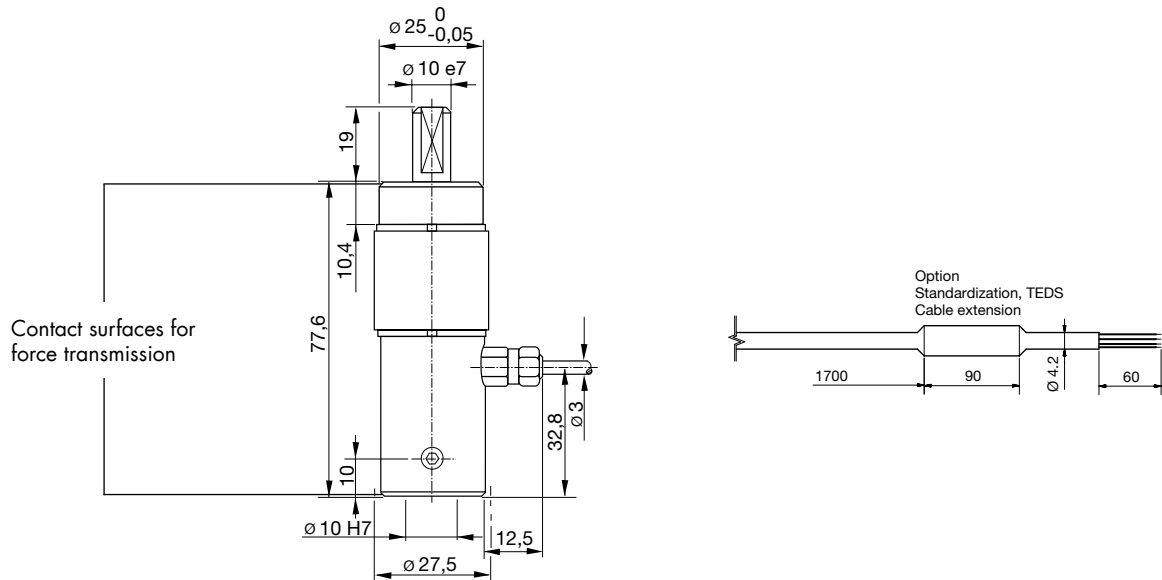
* The data in the area 20 % - 100 % of rated load

** Realized on board in connection cable, 1.7 m from sensor housing or 0.3 m from cable end (temperature range for the optional TEDS or standardization board 0 ... 60 °C)

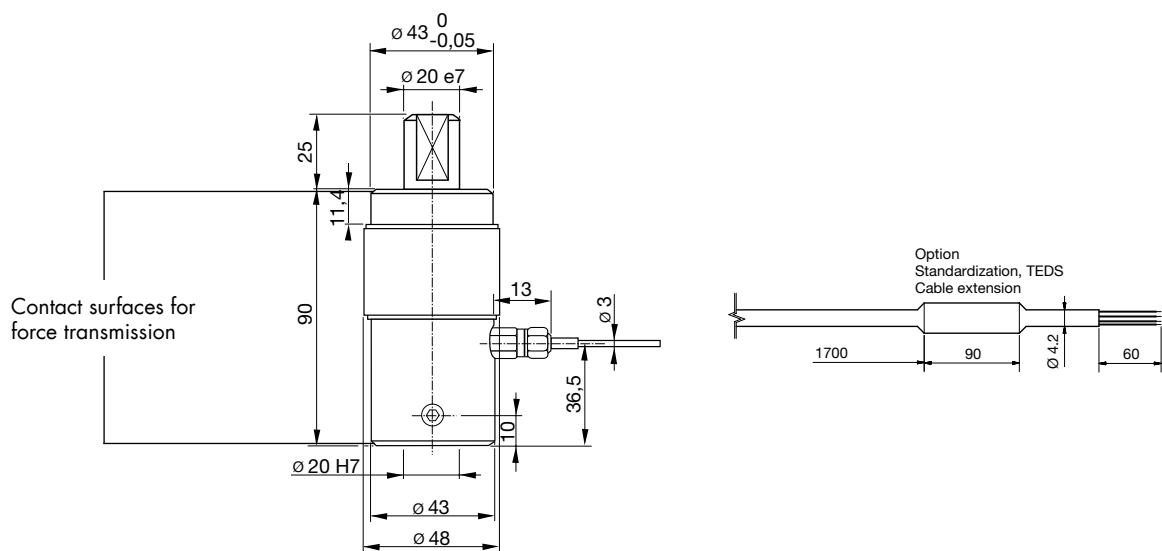
Dimensional drawing 1 – **Measuring ranges from $\leq 0 \dots 2 \text{ kN}$ | from $\leq 0 \dots 450 \text{ lbs}$**



Dimensional drawing 2 – **Measuring ranges from $\geq 0 \dots 5 \text{ kN}$ up to $\leq 0 \dots 20 \text{ kN}$ | from $\geq 0 \dots 1.1 \text{ klbs}$ up to $\leq 0 \dots 4.5 \text{ klbs}$**



Dimensional drawing 3 – **Measuring ranges from $\geq 0 \dots 50 \text{ kN}$ | from $\geq 0 \dots 11.25 \text{ klbs}$**



Electrical termination

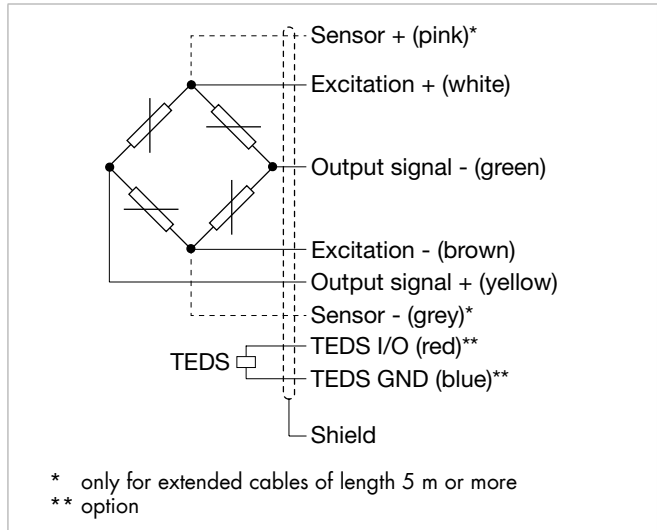
Output signal

burster load cells are based on a strain-gage Wheatstone bridge. This measurement principle means that the output voltage mV/V is highly dependent on the sensor supply voltage. Our website contains details of suitable instrumentation amplifiers, indicator and display devices and process instruments.



burster TEDS

The "**burster** Transducer **E**lectronic **D**ata **S**heet" (TEDS) is a memory in which identification data of the sensor, calibration data and other sensor parameters are saved. In conjunction with your own suitable burster device, there is the option of performing a simple adjustment in order to achieve the maximum accuracy of the measuring chain. A simple sensor exchange is thus possible in just a few steps without losing precision.



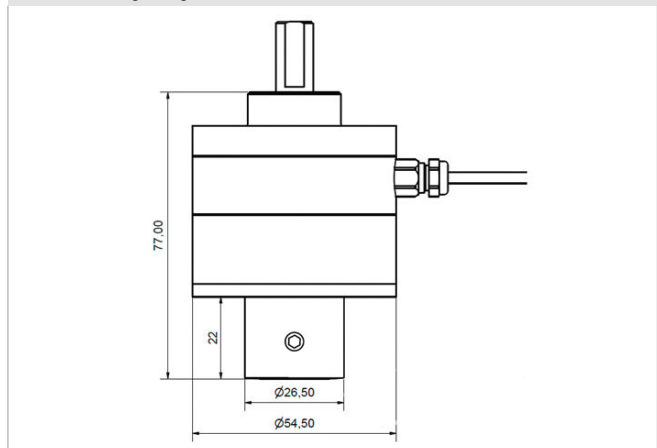
8451	-	5500	6001	6002	6005	6010	6020	6050	6100
Measuring range from 0 ...		500 N	1 kN	2 kN	5 kN	10 kN	20 kN	50 kN	100 kN
Electrical termination									
Specifications		1.7 m, shielded, highly flexible, suitable for drag chains and robots, oil resistant Bending radius > 9 mm with fixed cable 30 mm with moving cable							
Cable model		PUR, Ø 3 mm, 4 x cable core 0.056 mm ²							

Options

Ball guide:

Radial backlash-free design due to ball guide inserted in the load cell for measuring ranges from 0 ... 500 N to 0 ... 2 kN

Deviating dimensions for the option: ball guide
for measuring ranges from 0 ... 500 N to 0 ... 2 kN



Accessories

Connectors and units

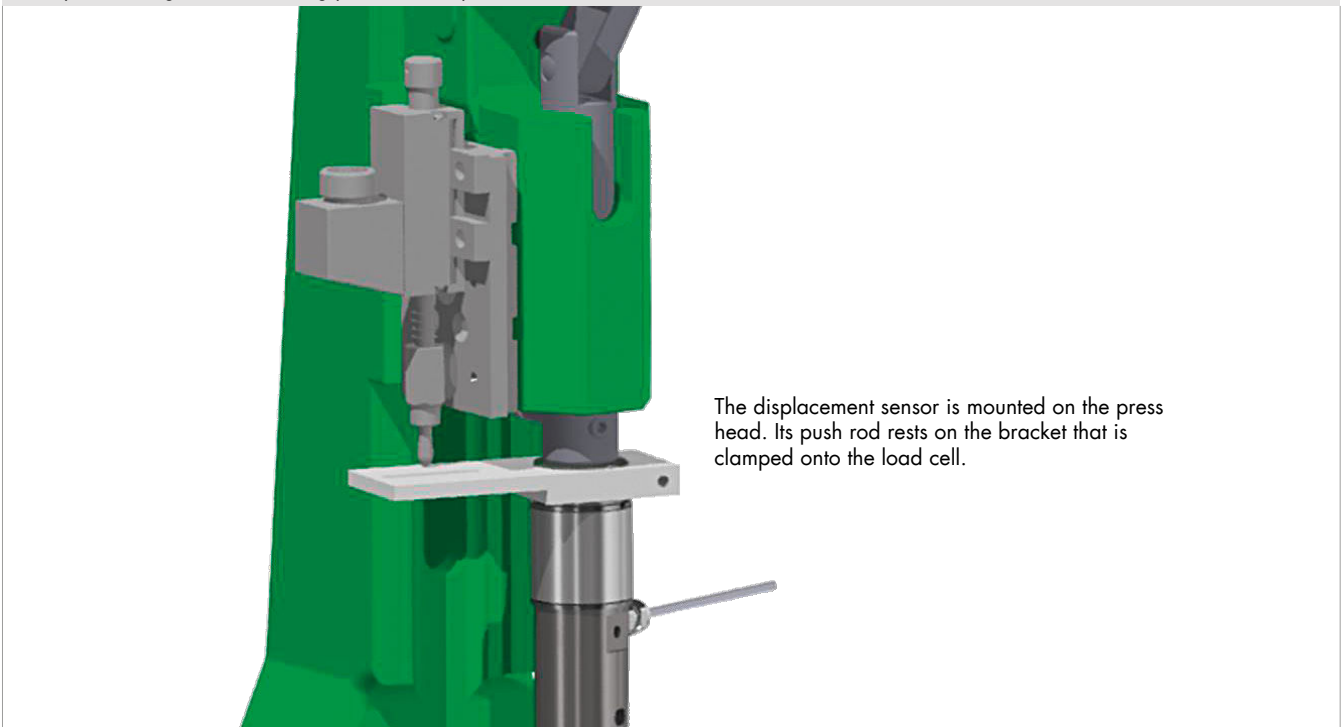
Order code

Connectors	
9941	Connectors 12 pin, suitable to all burster desktop units
9900-V209	Connectors 9 pin, suitable to SENSORMASTER, DIGIFORCE® and TRANS CAL
9900-V229	Connectors 9 pin with TEDS
9900-V245	Connectors 8 pin, suitable to ForceMaster
Units	
9110	ForceMaster 9110 - Monitoring for hand presses
9311/9307	DIGIFORCE® - Monitoring for hand presses + force and displacement monitoring
refer to section 9	Sensor electronics, amplifier and process control units like digital indicator model 9180, model 9163, modular amplifier model 9250



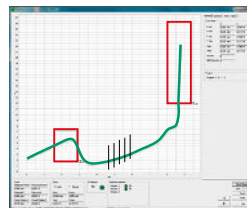
Examples

Example showing use of mounting parts to fit displacement sensor **Model 5501-Z002**

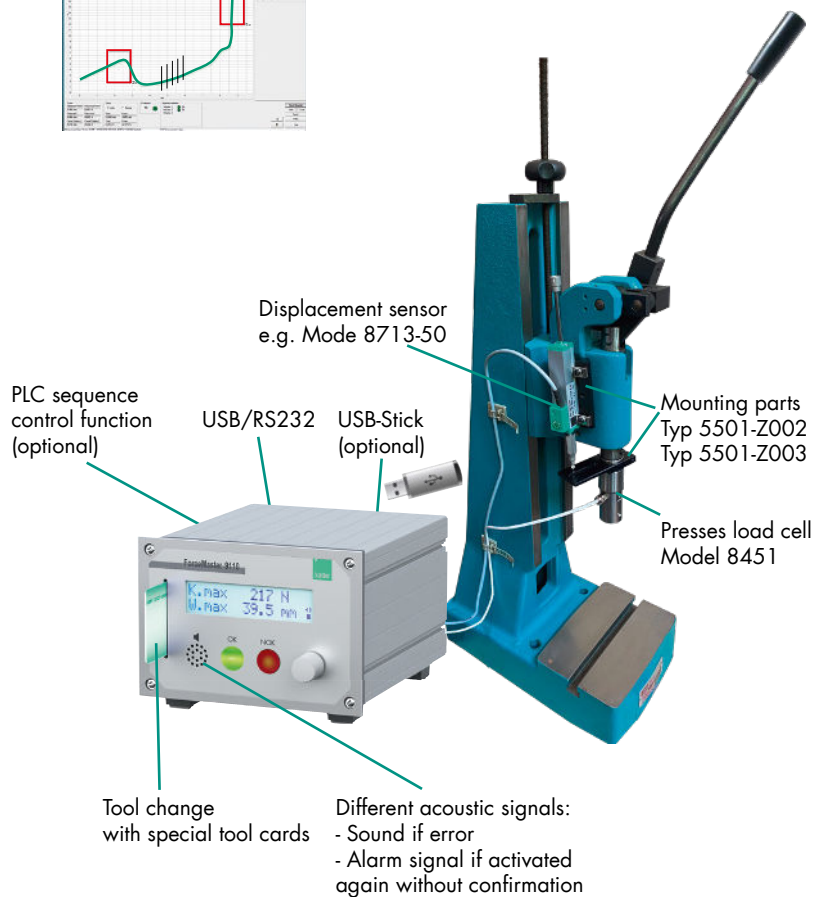


Example of a measuring chain

- Load cell 8451-6010-NOH0S000
- Displacement sensor 8713-50
- Connector plug 9900-V221
- Fitting of plug 99005
- Mounting parts 5501-Z002/5501-Z003
- ForceMaster 9110-V0000



Analysis and configuration software 9110-P001



Calibration

Test and calibration certificate	
Supplied with the sensor	Amongst other data, includes figures for zero point, full-scale output and calibration offset
Standard factory calibration certificate for load cells or measurement chains (WKS)	
Optionally available	Our standard factory calibration is performed in 20% steps starting from zero until the reaching the nominal force, for increasing and decreasing load with unchanged installation position. Factory calibration is performed in the compression direction.
Special factory calibration certificate for load cells or measurement chains (WKS)	
On request	We are happy to calibrate sensors and measurement chains to the customer's specification.
Calibration certificate with accreditation symbol for product group load cell 8451	
Optionally available	Calibration certificate with accreditation symbol for load cells 8451. Calibration is performed on the basis of the accreditation of the calibration laboratory D-K-15141-01-00, for the scope of accreditation listed in the annex to the certificate. The traceability to national standards as well as a wide international recognition (DAkkS as signatory of the Multilateral Agreements of EA, ILAC and IAF) are thus guaranteed. Calibration is performed according to ISO 376 in 10 force steps (10% steps) vstarting from zero until the reaching the nominal force, for increasing and decreasing load under various installation positions.

Order Code

Measuring range	Code				Measuring range
0 ... 500 N	5	5	0	0	0 ... 112.4 lbs
0 ... 1 kN	6	0	0	1	0 ... 225 lbs
0 ... 2 kN	6	0	0	2	0 ... 450 lbs
0 ... 5 kN	6	0	0	5	0 ... 1.1 klbs
0 ... 10 kN	6	0	1	0	0 ... 2.25 klbs
0 ... 20 kN	6	0	2	0	0 ... 4.5 klbs
0 ... 50 kN	6	0	5	0	0 ... 11.25 klbs
0 ... 100 kN	6	1	0	0	0 ... 22.5 klbs

										Delivery ex stock at short notice									
										N	0	0	0	S	0	0	0		
8	4	5	1	-					-				0	S			0	0	
<ul style="list-style-type: none"> Nominal sensitivity/not standardized Standardization at 0.8 mV/V (not possible for measuring ranges 0 ... 5 kN and 0 ... 10 kN) 										N									
<ul style="list-style-type: none"> Connection cable 1.7 m (with standardization in the cable 2 m) Connection cable 1 m Connection cable 3 m Connection cable 5 m Connection cable 3 m extended * Connection cable 5 m extended * (with sens line) 										0	C	F	G	L	M				
* shortened delivery time compared with cable length 3 m and 5 m in one piece																			
<ul style="list-style-type: none"> Open cable ends + 6 cm single wires 9 pins Sub-D connector model 9900-V209 9 pins Sub-D connector model 9900-V209 for 9163-V3xxxx 12 pins round connector model 9941 for burster desktop devices 8 pins coupling connector model 9900-V245 with sensor datas for 9110-Vxxxx 9 pins Sub-D connector with burster TEDS model 9900-V229 										0	B	E	F	H	T				
<ul style="list-style-type: none"> Non-linearity $\leq \pm 0.25\%$ F.S. up to $\leq \pm 0.35\%$ F.S. ** 														S					
** The data in the area 20 % - 100 % of rated load F																			
<ul style="list-style-type: none"> Ball guide for measuring ranges from 0 ... 500 N up to 0 ... 2 kN 																	6		
<ul style="list-style-type: none"> Nominal temperature range +15 °C ... +70 °C 																		0	

Note

■ Brochure

Our brochure „Load cells for production, automation, R&D and quality assurance“ is available for download on our website. It contains numerous applications, detailed product specifications and overviews.

■ Product videos

Watch our **How-to-do video** at: www.youtube.com/bursterVideo



■ CAD data

Download via www.burster.com or directly at www.traceparts.com

